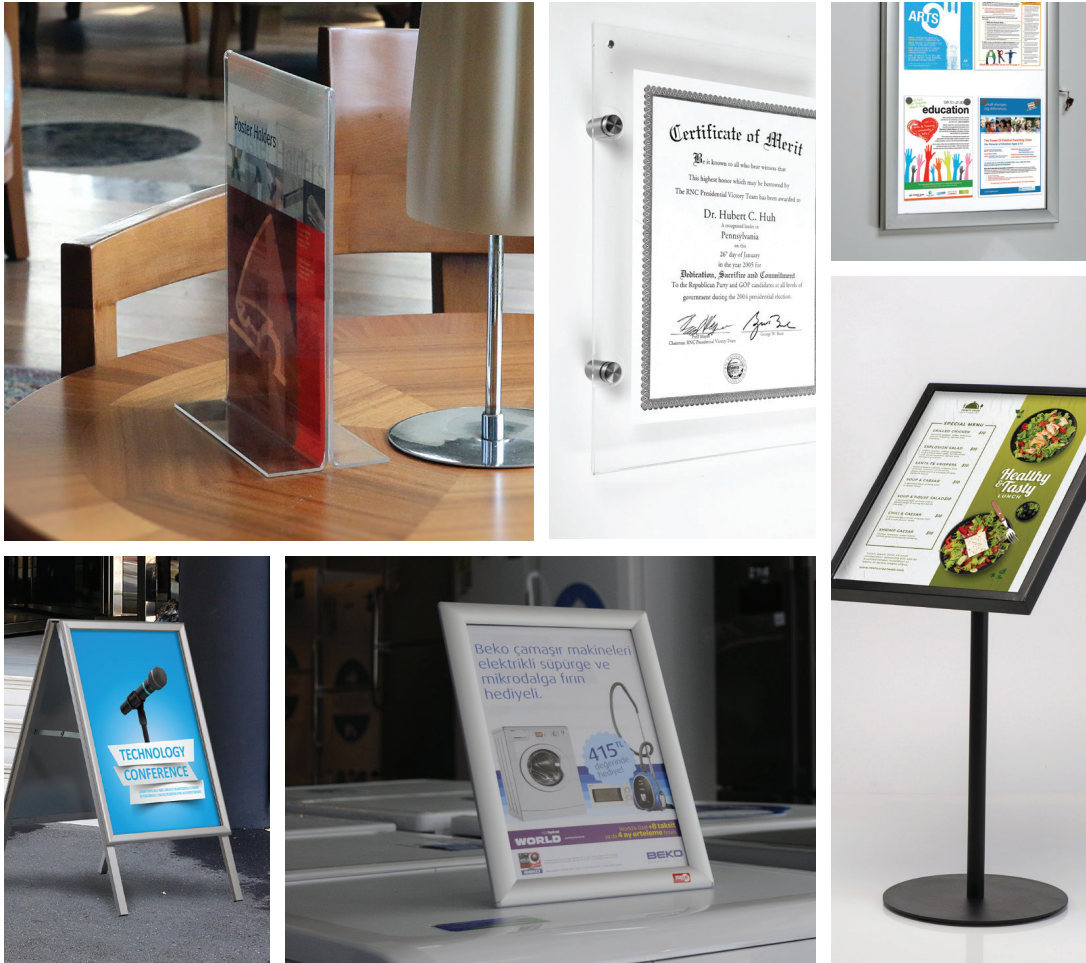


-2022-

VISTA DISPLAY

Display it right!

North America



Contact Us: 800 468-4782

Vista DISPLAY

CONTENTS

03 Snap Frames

- Single Sided Snap Frames
- Double Sided Snap Frames
- Illuminated Snap Frames

10 Wall Mounted Displays

- Wall Mounted Poster Pocket
- Acrylic Sign
- Poster Clip
- Vista Note

14 A'-Sign

- A'-Board Sign
- Slide-In 'A'-Sign
- Write-On 'A'-Sign

17 Counter-Top Leaflet Stands

- Slide-In Frame
- Upright Style
- Foldable Style
- Aluminum Base Style
- Wooden Base Style

22 Information and Menue Stands

- Angled Floor Standing Info-Board
- Slide-In Frame Info-Board
- Menu Board Stand
- Cork / Magnetic Bulletin Board

26 Poster Stands

- Sturdy Base Poster Stand
- Oval Base Poster Stand
- Sidewalk Sign
- Rigid Poster Stand

30 Screen Stands

- Floor Tablet Stand
- Flexible Head Tablet Stand

32 Queue Belt Barriers

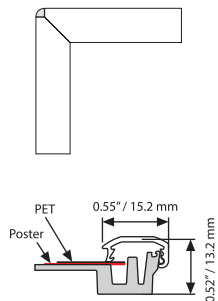
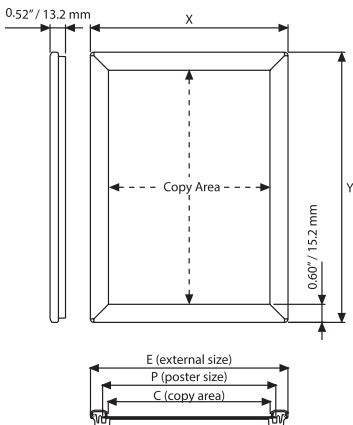
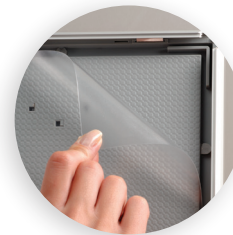
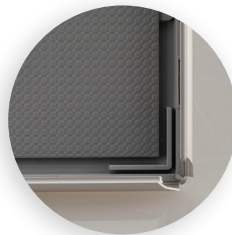
Snap Frames

0.55" flat profile design

- Silver anodized aluminium profile finish
- Optional counter support
- Eco-friendly.
- Non-glare poster clear cover



This product comes ready for wall mounting with 2 holes on both long sides. Wall hanging is also available with wall hanger holes; placed on one of short and long sides.



***No minimum order**

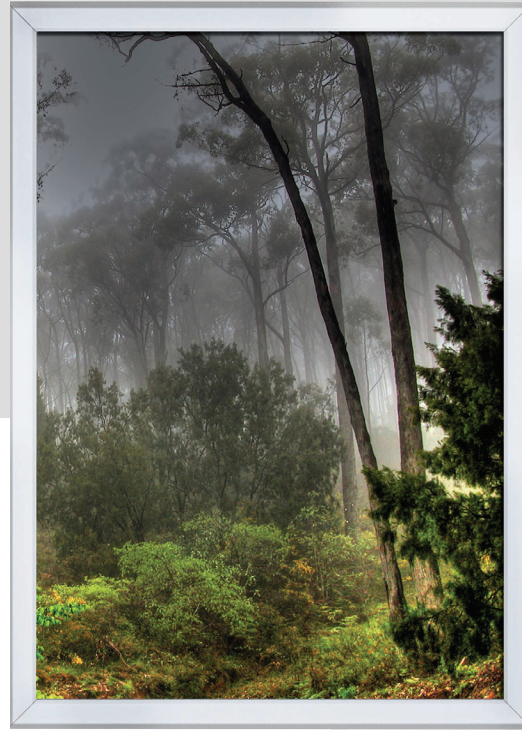
Product #	Frame size (x-y)	Insert size	Graphics size	Description
TM-145N057UCP-U	5.83x7.83"	5x7"	4.61x6.61"	Without Back Support
TM-145N157UCP-U	5.83x7.83"	5x7"	4.61x6.61"	With Back Support



Snap Frames

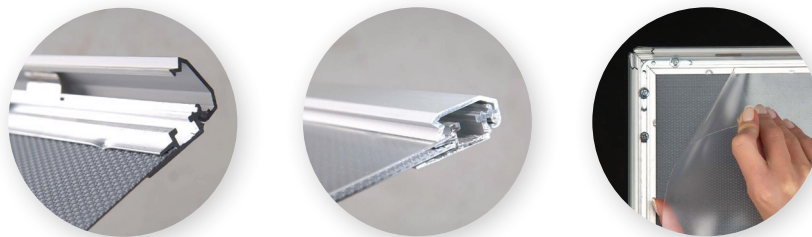
0.79" flat profile design

- Ideal for small-sized posters.
- Silver anodized profile finish
- Non-glare poster clear cover



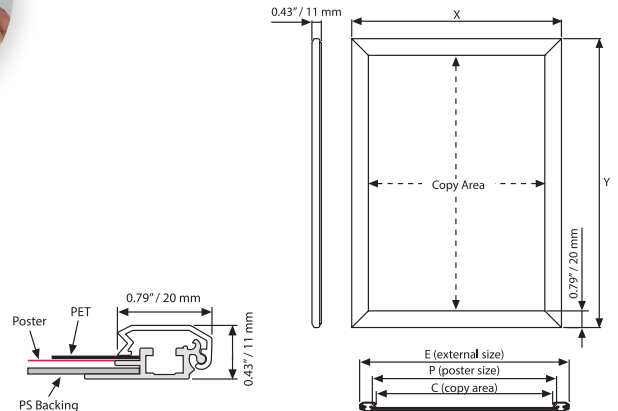
Changing graphic substrates in Vista Snap frames is quick and easy to do. This feature makes it the perfect sign for your marketing or advertising promos, such as special sales, events or shows.

Each frame includes wall mounting accessories (4 screws & 4 plugs).



***No minimum order**

Product #	Frame size (x-y)	Insert size	Graphics size
TM-205N011UCN-U	12.2x15.2"	11x14"	10.70x13.70"



800 468 47 82 | www.vistasystem.com | 1800 N East Avenue unit 102, Sarasota, FL, 34234, USA

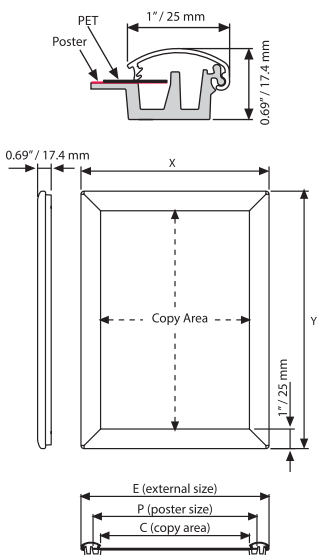
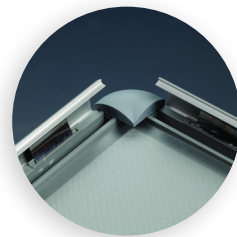
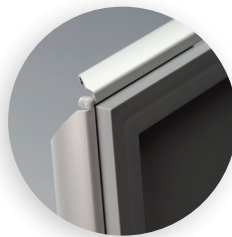
Snap Frames

1" arched profile design

- Silver anodized profile finish
- Optional counter support
- Non-glare poster clear cover



This product comes ready for wall mounting with 2 holes on both long sides. Wall hanging is also available with wall hanger holes; placed on one of short and long sides.



***No minimum order**

Product #	Frame size (x-y)	Insert size	Graphics size	Description
TM-255N081UCP1PC-U	9.72x12.22"	8.5x11"	7.75x10.25"	without Back Support
TM-255N181UCP-U	9.72x12.22"	8.5x11"	7.75x10.25"	with Back Support
TM-255N017UCP-U	12.22x18.22"	11x17"	9.78x15x78"	without Back Support
TM-255N022UCP-U	23.22x29.22"	22x28"	21.25x27.25"	without Back Support

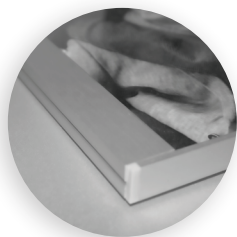
2-Profile Snap Frame

0.90" flat profile design

- Silver anodized profile finish
- A variety of standard paper sizes

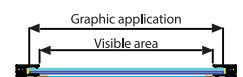
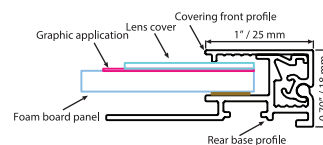
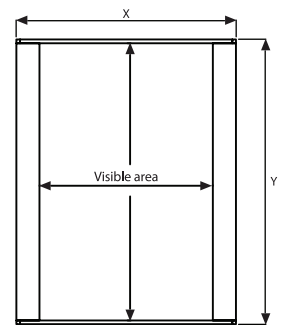


This product provides a flexible and elegant solution, including a flat platform for your message, based only on 2 spring-based profiles. The subtle, minimalistic look of the Aluminum profiles on both sides, turns it into the unicorn of the advertising world.

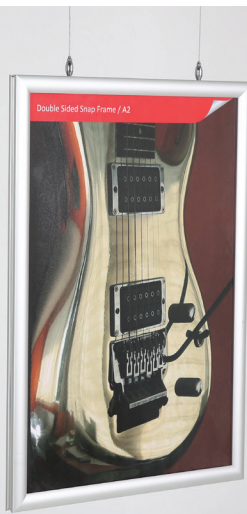


***No minimum order**

Product #	Frame size (x-y)	Insert size	Graphic Size
SNP-8.5x11	9.57x11.30"	8.56x11.12"	7.6x11"
SNP-8.5x14	9.57x14.30"	8.56x14.12"	7.6x14"
SNP-11x17	12.09x17.30"	11.12x17.12"	10.12x17"
SNP-17x22	18.07x22.30"	17.09x22.12"	16.1x22"
SNP-22x34	23.07x34.25"	22.09x34.09"	21.1x34"



NEW



Double Sided Snap Frame

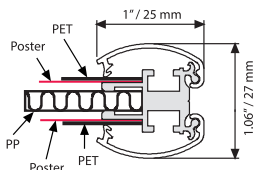
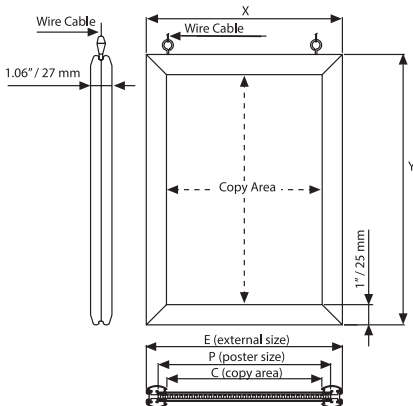
1" arched profile design

A great solution for presenting a poster that needs to be viewed from both directions. Can be used also in case no wall mounting options are available. Perfect for being positioned in galleries or in front of shop windows so it can be viewed both from inside and from the outside.



TM-KIT - \$14,98

TM-A001020UYA-U for 8.5"x11" to 24"x36"
Hanger kit to be ordered separately.



***No minimum order**

Product #	Frame size (x-y)	Insert size	Graphic size
TM-255N281UCD-U	9.68x12.18"	8.5x11"	7.79x10.29"
TM-255N217UCD-U	12.18x18.18"	11x17"	10.29x16.29"
TM-255N224UCD-U	25.18x37.18"	24x36"	23.29x35.29"



Illuminated Snap Frame

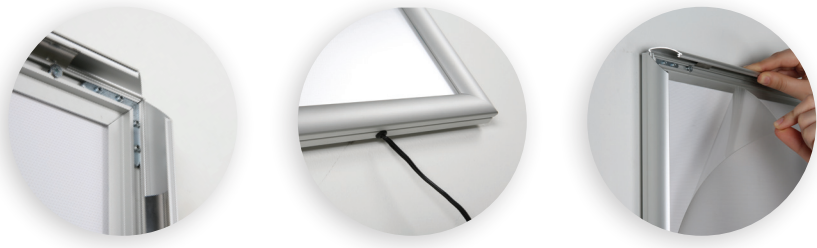
1" arched profile design

- Silver anodized profile finish
- 18mm (0.70") overall thickness
- Antireflex poster cover
- Includes 3.5 meter (137.80") cable and wall hangers



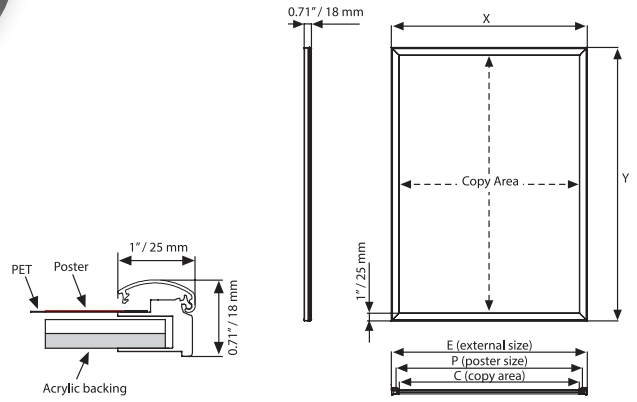
This very slim single sided Ledbox is ideal for wide range of indoor applications. The special treated acrylic backing provides a homogenous lighting that will surely get the attention of visitors wherever it is mounted.

The sign comes with power cord and transformer.



***No minimum order**

Product #	Frame size (x-y)	Insert size	Graphic Size
TM-25TN017ULB-U	12.20x18.19"	11x17"	10.20x16.18"
TM-25TN022ULB-U	23.19x29.21"	22x28"	21.18x27.20"
TM-25TN024ULB-U	25.20x37.20"	24x36"	23.19x35.20"



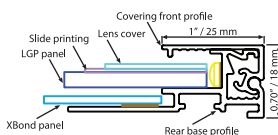
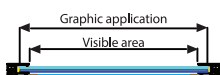
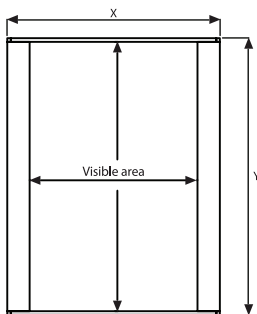
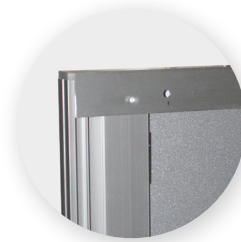
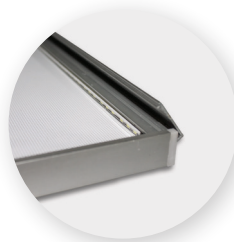
Illuminated 2-Profile Snap Frame

1" flat profile design

- Silver anodized profile finish
- A variety of standard paper sizes
- 18 mm (0.70") overall thickness

Grab the attention of visitors with the graceful design of this Vista Snap illuminated frames. These come at either Portrait or Landscape orientation. Light is evenly dispersed to enhance any colorful graphics impressively conveying your promotional message.

The sign comes with power cord and transformer.



***No minimum order**

Product #	Frame size (x-y)	Insert size	Graphic Size
SNP-L-8.5x11	9.57x11.3"	8.56x11.12"	7.6x11"
SNP-L-8.5x14	9.57x14.3"	8.56x14.12"	7.6x14"
SNP-L-11x17	12.09x17.3"	11.12x17.12"	10.12x17"
SNP-L-17x22	18.07x22.3"	17.09x22.12"	16.1x22"
SNP-L-22x34	23.07x34.25"	22.09x34.09"	21.1x34"

Wall Mounted Poster Pocket

Vista's durable clear poster pocket is a simple practical solution for easily placing information on wall, let it be for promotional, decorative or instructive purposes.

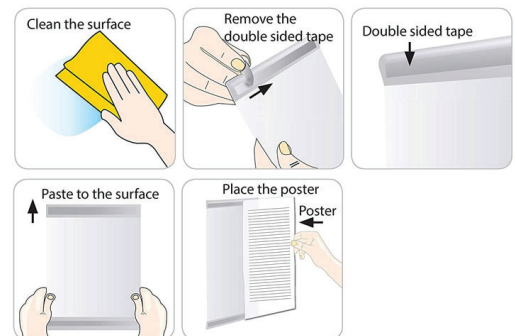
No tools required for installation. The product includes powerful and high quality permanent adhesive strips that can be applied to any flat surface.

Made of non-glare PET material, resistant to scratch.

This poster pocket is being used everywhere, from offices, to children bedrooms, from classes to restaurants and can display advertisements, pictures, menus, price lists and much more.



Pet Pocket , no tools required, mount it in less than a minute!



*No minimum order

Product #	Insert Size	W	Y
TM-C1D0081UPC-U	8.5x11"	8.5"	11.14"

NEW



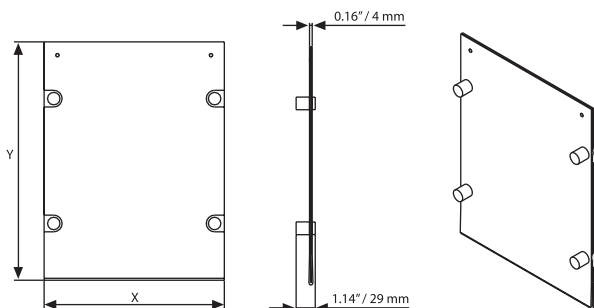
Wall Mounted Acrylic Sign

A frameless elegant acrylic sign including 4 chrome silver standoff units, suitable for promotional, directional, or branding purposes.

- Made of 2mm (0.07") clear acrylic plates.
- Available in a variety of poster sizes.
- Graphics can be changed easily by sliding.



Fixing kit included.



***No minimum order**

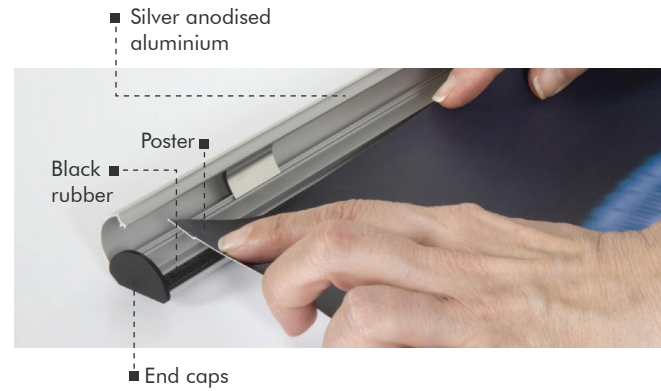
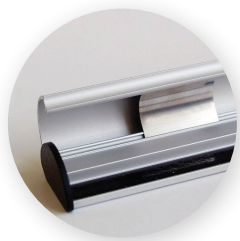
Product #	Frame size (x-y)	Insert size
TM-S0DCS81USM-U	10.87x13.37"	8.5x11"
TM-S0DCS17USM-U	13.37x19.36"	11x17"
TM-S0DCS18USM-U	20.36x26.36"	18x24"
TM-S0DCS22USM-U	24.36x30.36"	22x28"

Poster Clip

Top and bottom aluminum profiles for posters in a variety of sizes. Product includes hangers for wall mounting and ceiling suspension.

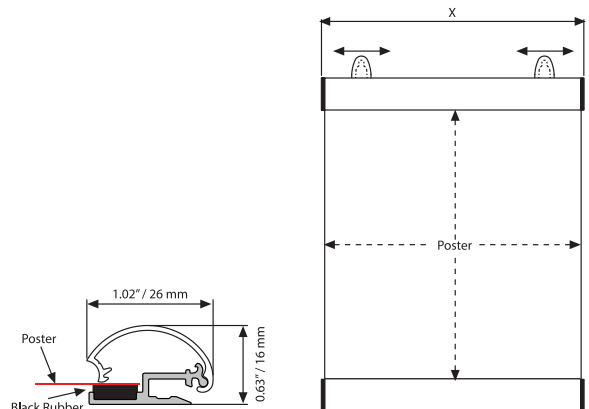


Moving hangers



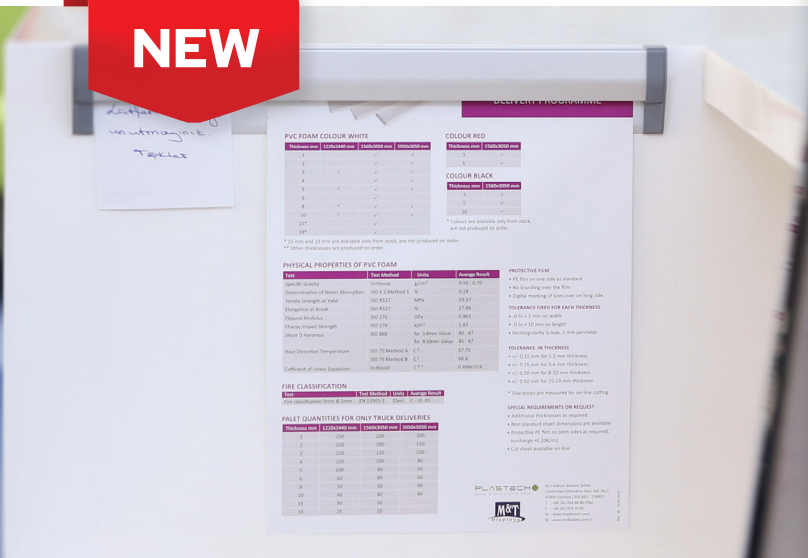
***No minimum order**

Product #	Frame size (x)	Insert size
TM-26SN458UPT-U	18.19"	18"
TM-26SN559UPT-U	22.17"	22"
TM-26SN610UPT-U	24.17"	24"
TM-26SN686UPT-U	27.17"	27"
TM-26SN762UPT-U	30.16"	30"
TM-26SN915UPT-U	36.18"	36"
TM-26SN122UPT-U	48.19"	48"
TM-26SN182UPT-U	72.17"	72"



800 468 47 82 | www.vistasystem.com | 1800 N East Avenue unit 102, Sarasota, FL, 34234, USA

NEW



Vista Note

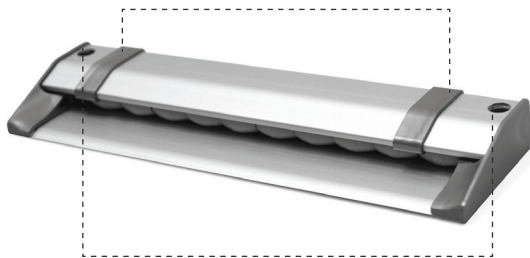
This simple, yet clever product, allows you to hang papers, notes or pictures without any pins or magnets.

- Minimal and clean profile design, Silver anodize finish.
- Includes cylinder mechanism to firmly hold the paper.
- Fixing set is included (screws and double-sided tape).
- Suitable for 0.1-0.8mm (0.003-0.031") paper thickness.

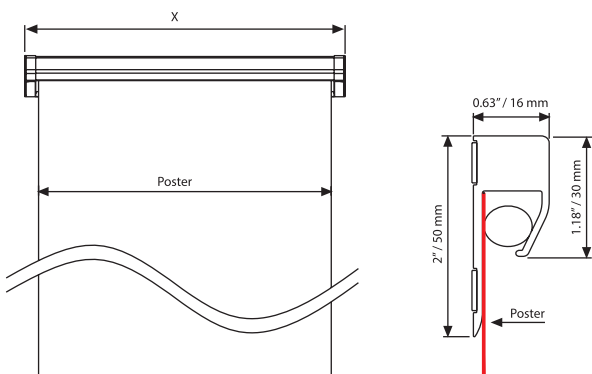
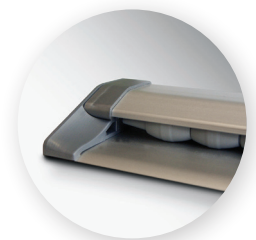
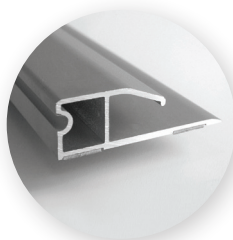


Vista Note is very popular in restaurants, studios, travel agencies, offices, hospitals and more.

Moving end caps



Discreet mounting holes



***No minimum order**

Product #	Width (x)	Insert size
TM-000N012UFN-U	12.98"	12"
TM-000N024UFN-U	24.98"	24"
TM-000N040UFN-U	40.98"	40"
TM-000N060UFN-U	60.98"	60"

NEW

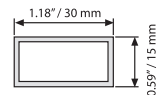
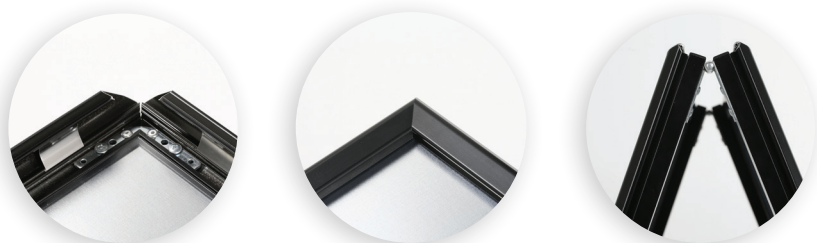
A-Board Sign

- A double-sided "A-shaped" pavement sign.
- Composed of 32mm (1.25") snap frame profiles, galvanized back and mill finish legs.
- Poster frame available finishes: Silver
- Suitable for outdoor use.



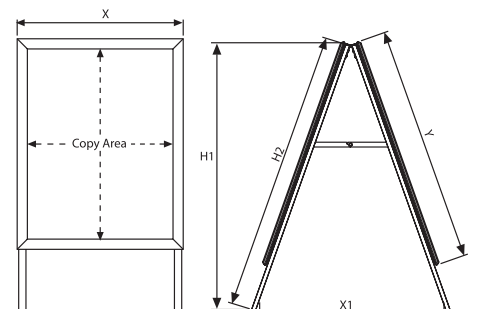
No tools required for assembly.

Attract public's attention by placing this dominant sign at the entrance of any point of interest: stores, markets, restaurants etc.



***No minimum order**

Product #	Insert size	X	X1	H2	Color	Description
TM-3250N22UAB-U	22x28"	19.69"	27.56"	37.40"	Silver	Mitred
TM-3250N34UAB-U	30x40"	31.69"	33.46"	49.21"	Silver	Mitred



800 468 47 82 | www.vistasystem.com | 1800 N East Avenue unit 102, Sarasota, FL, 34234, USA

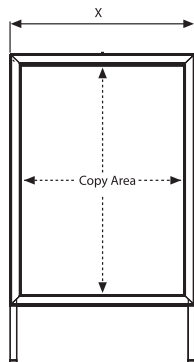
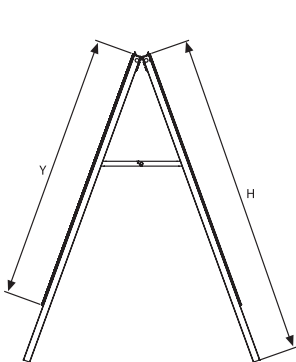
Slide-in A Sign

- Top opening slide-in 'A' board sign.
- Easy graphics change.
- Suitable for outdoor use.



No tools required for assembly.

Attract public's attention by placing this dominant sign at the entrance of any point of interest: stores, markets, restaurants etc.



***No minimum order**

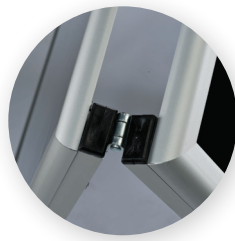
Product #	Frame size (x-y)	Insert size	Graphic size	H
TM-S0N0022UAB-U	24.24x30.24"	22x28"	21.09x27.09"	45.28"
TM-S0N0024UAB-U	26.24x38.24"	24x36"	23.09x35.09"	45.28"



Write-on A Sign

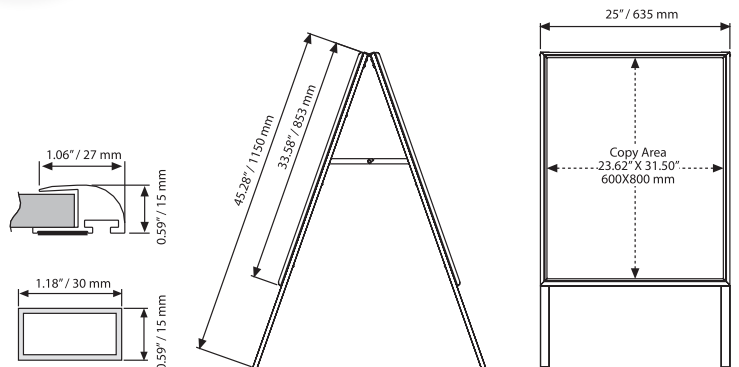
- Includes a black dry-wipe surface.
- Used with water-based chalkpens.
- Poster frame available finishes: Black
- Suitable for indoor and outdoor use (The board is waterproof).

Use this practical standing-out sign to attract public's attention with frequently updating content.



***No minimum order**

Product #	Insert size	Profile finish
TM-B0BB022UWA-U	22x28"	Black

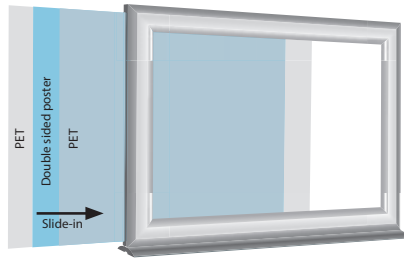




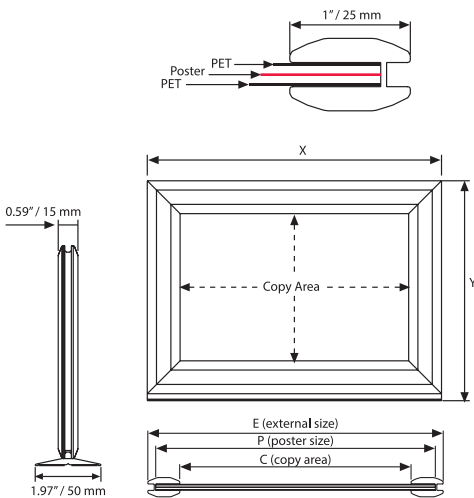
Counter Slide-in Frame

A double-sided frame for counter topping. Perfect for displaying promotional or instruction messages. Popularly used in shops, gas stations, reception counters in hotels, banks etc.

- Easy and quick graphics change by sliding it in & out.
- Silver anodized profile finish
- The product includes 2 PET overs, an end plastic wick on the opening side and a double sided tape on the bottom.
- Suitable for outdoor use thanks to a sealing rubber on the open edge.



Please clean the surface before applying the double sided tape for better application.



***No minimum order**

Product #	Frame size (x-y)	Insert size	Graphic size
TM-255N281UCA-U	9.05x11.55"	8.5x11"	9.92x12.42"
TM-255N217UCA-U	17.55x11.55"	17x11"	15.58x9.58"

Upright Clear Brochure Holder

- High quality transparent double-sided brochure holder.
- Available sizes: 8.5x11", 5x7", 4x6".
- Graphics can be easily updated from side/top.

This elegant counter-top brochure holder is the perfect solution for displaying information on a reception desk, menus on restaurant tables and more.



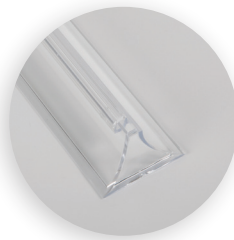
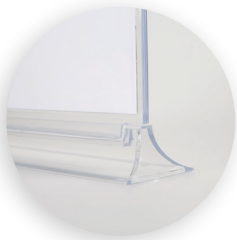
8.5x11"



5x7"

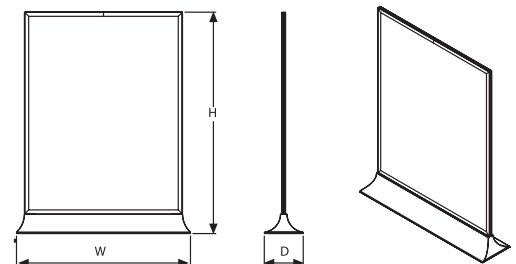


4x6"



***No minimum order**

Product #	Insert Size	W	H	D
TM-DTLDN81UMS-U	8.5x11"	9.84"	12.52"	2.20"
TM-DTLDN57UMS-U	5x7"	6.30"	8.35"	1.81"
TM-DTLDN46UMS-U	4x6"	5.12"	7.17"	1.57"



NEW

Foldable Counter-top Brochure Holder

High quality transparent single-sided brochure holder made of clear anti-glare acrylic material.

- Cost effective
- Stable and durable.
- Available sizes: 5x7", 4x6".

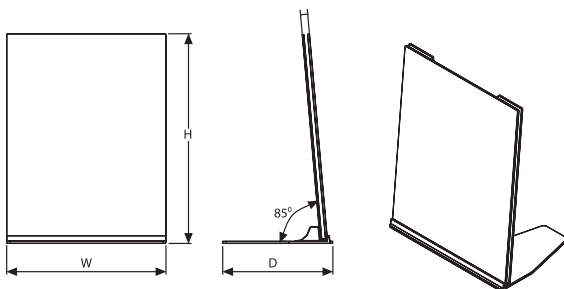
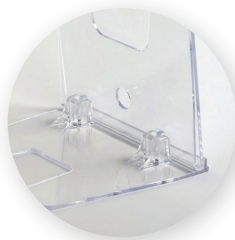


5x7"



4x6"

Mostly used for displaying best-sellers info, special offers at restaurants, information / instructions at clinics reception desks etc.



***No minimum order**

Product #	Insert Size	W	H	D
TM-DFLDN46UMS-U	4x6"	4.06"	6.26"	3.94"
TM-DFLDN57UMS-U	5x7"	5.04"	7.28"	4.33"

Aluminum Based Brochure Holder

Counter-top leaflet holder made of a clear acrylic pocket and elegant silver anodized aluminum base.

The base can fit a variety of brochure materials (PVC, PET...) with thickness of 0.04"-0.16".



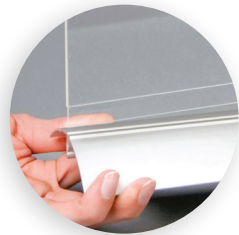
8.5x11" Portrait



4x6" Portrait

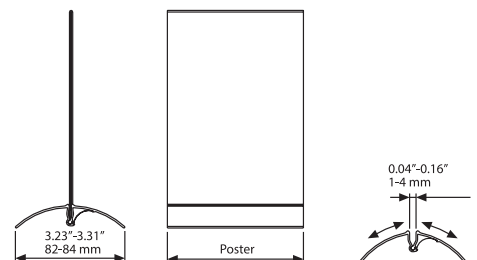


5x7" Landscape



***No minimum order**

Product #	Insert Size	Description
TM-MDNP081USW-U	8.5x11"	Portrait
TM-MYNP057USW-U	5x7"	Landscape
TM-MYNP046USW-U	4x6"	Landscape



This elegant counter-top brochure holder is the perfect solution for displaying menus in coffee places or restaurants, information on a reception desk in hotels, banks, clinics and more.

Catch thickness
min. 0.04"/1 mm
max. 0.16"/4 mm

NEW

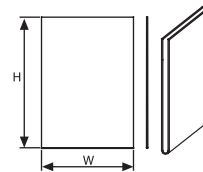
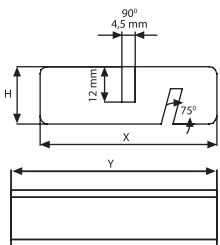


Wooden Base Brochure Holder

- Double-sided brochure holder composed of beech wooden base and clear acrylic pocket.
- The base allows 2 angles for positioning the content: 75- and 90-degree angles.
- Available in many sizes.
- Lacquered finished for high resistance.



A great solution for displaying business cards, ticket info, menus, promotional information and more.



***No minimum order**

Product #	Size	X	Y	H
TM-H0N0070UWC-U	2.76"	2.36"	2.76"	0.79"
TM-H0N0105UWC-U	4.13"	2.36"	4.13"	0.79"
TM-H0N0150UWC-U	5.91"	2.36"	5.91"	0.79"
TM-H0N0210UWC-U	8.27"	2.36"	8.27"	0.79"

U shaped Acrylic pocket

***No minimum order**

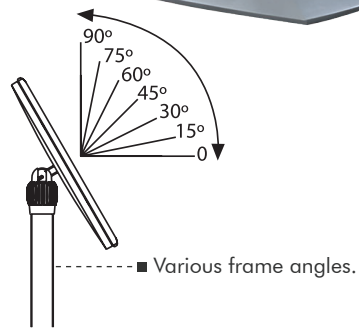
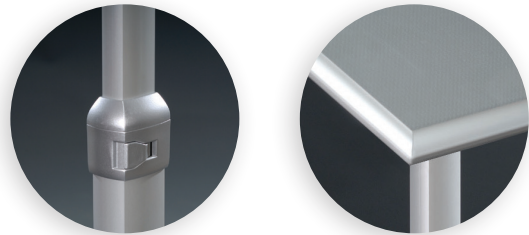
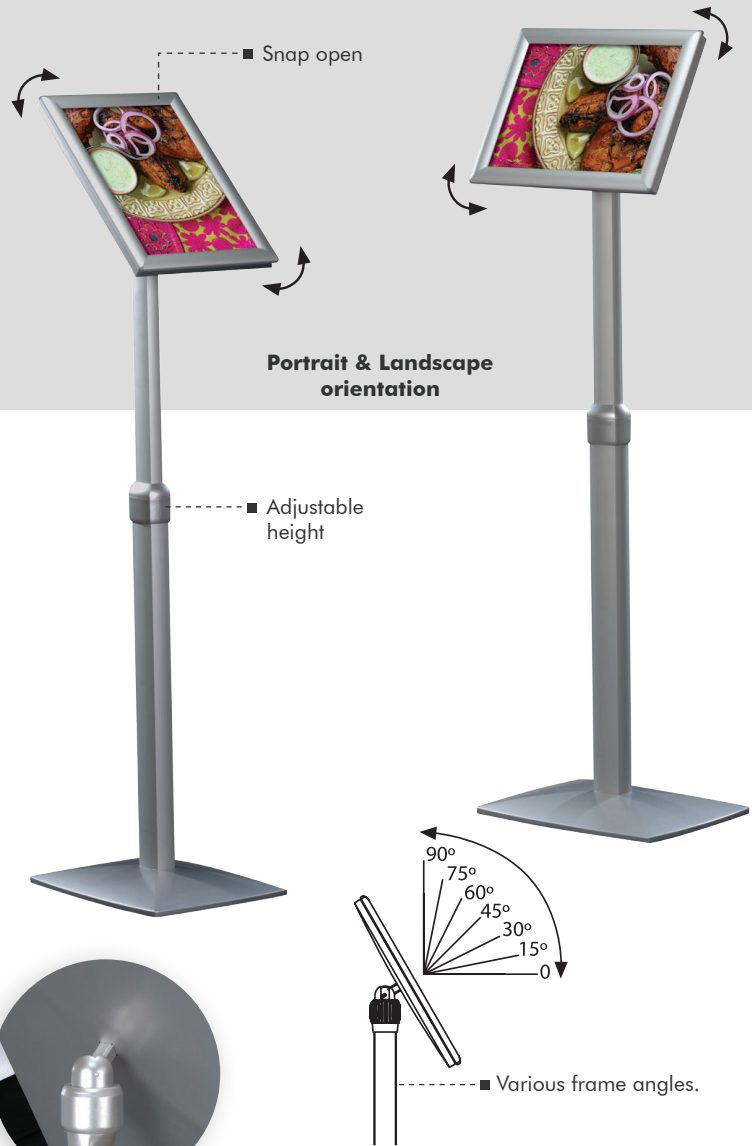
Product #	Insert Size	W	H
TM-UAD0081UPC-U	8.5x11"	6.35"	11.18"
TM-UAD0058UPC-U	5.5x8.5"	3.2"	8.66"



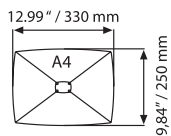
Angled Floor Stand Info-board

- Multifunctional freestanding floor stand for displaying messages, promotional or instructional info.
- Portrait & Landscape orientation poster snap frame.
- Various frame angles for optimal content view.
- Adjustable height post.
- Heavy stable base.

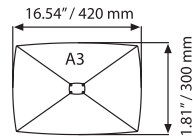
This brilliant product is one of Vista's best sellers thanks to its multifunctional attributes. It is being used mostly in restaurants, coffee shops and bar as a standing menu board, as well as in banks and other institutes.



Decorative base
Powder coated
RAL 9006
6.040 lbs

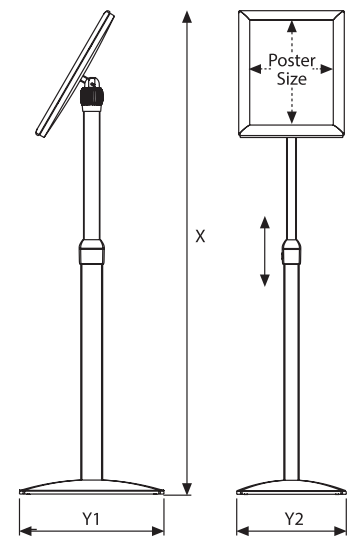


Decorative base
Powder coated
RAL 9006
8.818 lbs



***No minimum order**

Product #	X max	X min	Y1	Y2	Insert size	Description
TM-B600581UDM-U	47.44"	34.06"	12.99"	9.84"	8.5x11"	Landscape
	49.21"	35.83"				Portrait
TM-B600517UDM-U	49.61"	35.43"	16.54"	11.81"	11x17"	Landscape
	51.97"	37.80"				Portrait



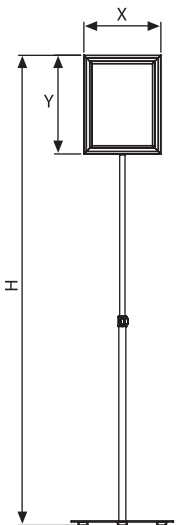
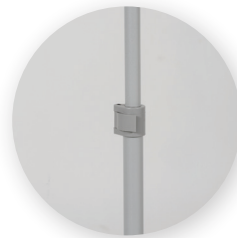
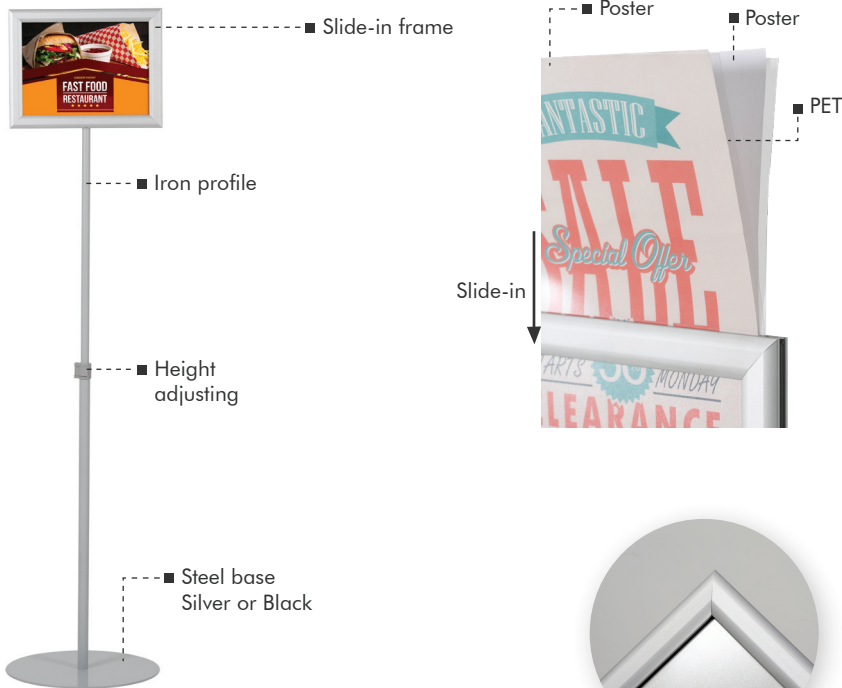
800 468 47 82 | www.vistasystem.com | 1800 N East Avenue unit 102, Sarasota, FL, 34234, USA

Slide-in Frame Info-board

Double-sided floor stand info-board with a pivoting frame for an optimal view.

- Slide-in frame for quick and easy graphics changing.
- Portrait & Landscape frame assembly options.
- Adjustable height post.
- Heavy stable base.

Vista's slide-in frame Info-board is most popular in hotels, shops, galleries, museums lobbies and every other public area where instructional or promotional information is required for crowd guidance.

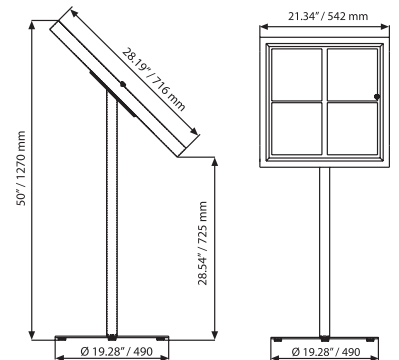
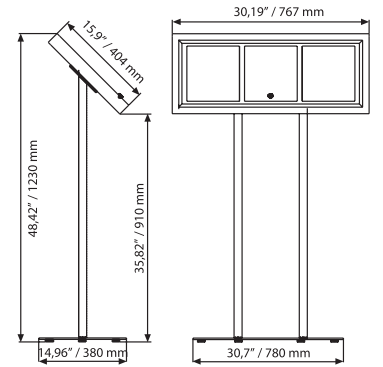


***No minimum order**

Product #	Frame size (x-y)	Insert size	Graphic size	H min	H max	Description	Profile finish
TM-TD20N81UMB-U	9.16x11.57"	8.5x11"	7.09x9.61"	37.28"	55.55"	Portrait	Silver
				37.52"	55.79"	Landscape	
TM-TS10B81UMB-U	9.69x12.20"	8.5x11"	7.80x10.31"	33.07"	51.18"	Portrait	Black
				31.26"	49.37"	Landscape	
TM-TD20N17UMB-U	11.57x17.56"	11x17"	9.61x15.59"	41.22"	59.49"	Portrait	Silver
				32.95"	51.22"	Landscape	
TM-TS10B17UMB-U	12.20x18.19"	11x17"	10.31x16.69"	37.40"	55.67"	Portrait	Black
				35.67"	53.98"	Landscape	

Menu Board Stand

- Outdoor restaurants stand for displaying menus, special offers and events.
- Made of durable steel to fit outdoor conditions.
- 2 sizes available: 3x A4/Letter and 4x A4/Letter.
- Includes magnetic tape and buttons for paper fixing.
- Single leg can be adjusted to portrait / landscape orientation.



***No minimum order**

Product #	Capacity	Profile finish	Height
TM-OON0481UMB-U	4x(8.5x11")	Black	50" / Landscape
TM-OON0381UMB-U	3x(8.5x11")	Black	48.43" / Landscape

NEW

1.06" / 27 mm thickness



Magnetic



Cork

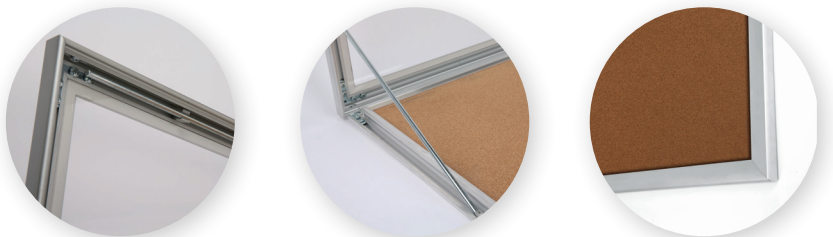
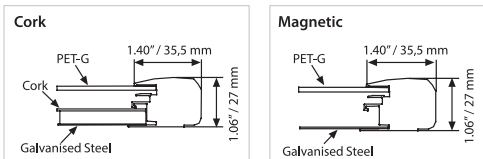
Discreet door lock

Cork/ Magnetic Bulletin Board

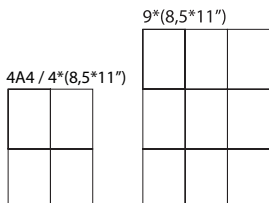
An extremely practical bulletin board, composed of a 30mm (1.18") aluminum profile with a slim design - 27mm (1.106") depth.

- 2 options for backing: cork / magnetic.
- Includes a hidden lock and one key set.
- For indoor use.

Use Vista's wall mounted bulletin board for posting public messages, announcing events, providing information, or promoting sales items.



Size of boards for all Universal Showboard models:



***No minimum order**

Product #	Frame size (x-y)	Graphic Size	Capacity	Model
TM-NU104A4USB-U	22.05x28.74"	19.25x25.94"	4x(8.5x11")	Cork
TM-N2004A4USB-U	23.03x29.72"	19.49x26.18"	4x(8.5x11")	Magnetic
TM-NU109A4USB-U	31.10x41.34"	28.31x38.54"	9x(8.5x11")	Cork



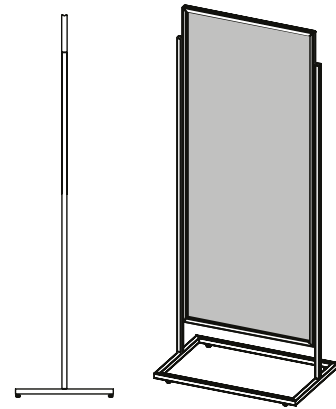
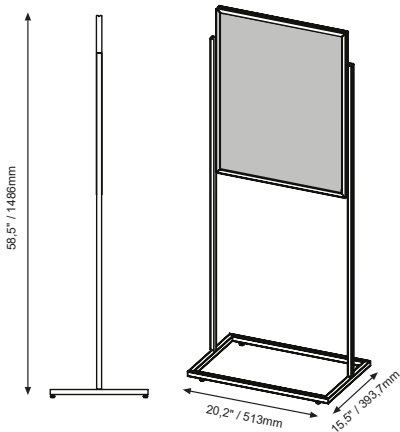
Sturdy Base Poster Stand

Double sided display stand, including a sturdy metal base. It suitable for crowded environments.

Poster is placed by sliding it down from the top.



* Product available in US only



***No minimum order**

Product #	Insert size
TM-M20G118UIB-U	18x24"

***No minimum order**

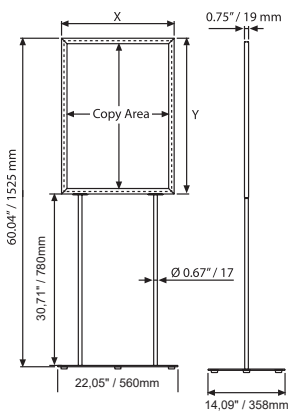
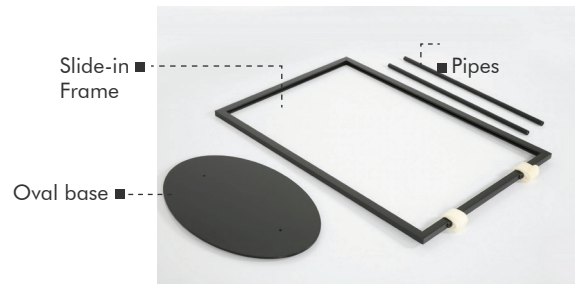
Product #	Insert Size	Graphic Size	Profile finish
TM-S20B129UIB-U	22x69"	-	Black
TM-S20N129UIB-U	22x69"	20.91x67.91"	Silver

Oval Based Poster Stand

A double-sided floor stand, composed of a silver / black aluminum frame, 2 anti-glare PET covers and an oval steel base.

A black PVC sheet is included to prevent light transition between the 2 posters.

Poster updating is quick and easy. Simply slide out the old graphics, then slide in the new one between the protective black sheet and poster cover sheet.



***No minimum order**

Product #	Frame size (x-y)	Insert Size	Graphic Size	Profile finish
TM-S10B022UIB-U	22.91x28.91"	22x28"	20.90x26.90"	Black
TM-S10N022UIB-U	22.91x28.91"	22x28"	20.90x26.90"	Silver

Sidewalk Sign

Vista's double-sided poster sign for indoor and outdoor use includes Silver / Black aluminum finish Snap frame that allows quick and easy graphics update.

A Black durable water base keeps the sign in place in outdoor wind conditions (made of High-Density Polyethylene). Fill it with water or sand to increase weight and stability.



Vista's sidewalk sign is a great solution to attract crowd's attention in front of markets or restaurants and at events such as conventions weddings or other parties.



Includes wheels for easy mobility.



***No minimum order**

Product #	Insert Size	Graphic Size	Profile finish
TM-M000B34UTW-U	30x40"	29.6x39.6"	Black
TM-M000N24UTW-U	24x36"	23.6x35x6"	Silver



Heavy-duty coil springs resist strong winds and return the sign to an upright position



Rigid Poster Stand

Cost-effective easy-to-use poster stand made of an aluminum base that can accept rigid poster boards such as PVC foam panels, with thickness between 5 to 10mm (0.20" to 0.39").

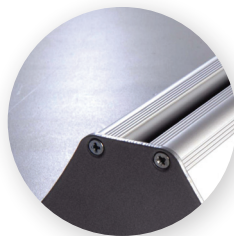
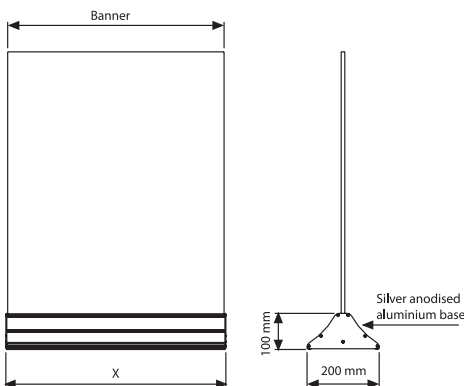
For indoor use.

Mostly used in shopping malls, seminars, clinics, banks, restaurants and more.



Adjust the fixing nut at the bottom to fit your poster width. To change the poster board, simply loosen the nut, remove the current graphics place the new one and fasten the nut again.

Adjustable thickness



***No minimum order**

Product #	Frame size (x)	Insert Size
TM-0100300UMS-U	12.20"	11.80"
TM-0100600UMS-U	24"	23.62"

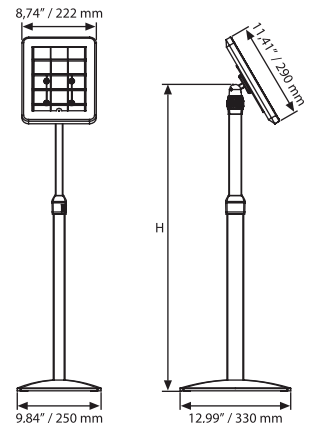
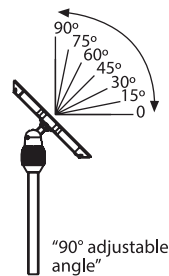
NEW

Floor Tablet Stand

Vista's floor standing tablet kiosk is suitable for iPad1, 2, 3, 4, Air.

- Portrait & Landscape orientations in one stand.
- Silver anodized aluminum post with adjustable height and with black mounting bracket.
- Adjustable reading angle.
- The tablet is secured with a lockable case.

This compact stand is popularly used at vehicle show rooms, convention presentations, trade shows, museum information stands, guest registration at events and venues, feedback, consumer club registration, etc.



*No minimum order

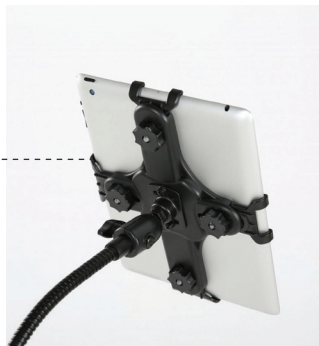
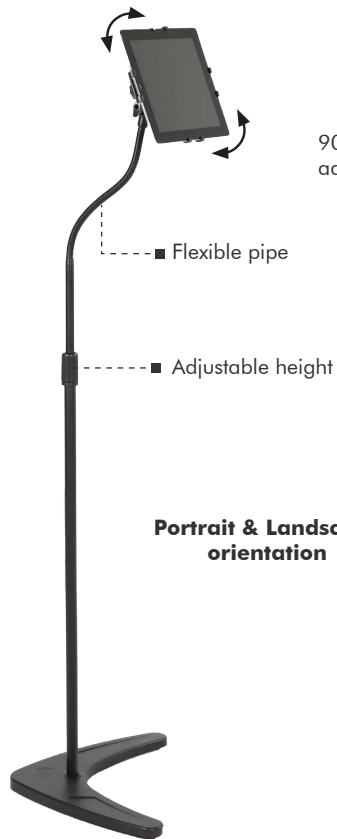
Product #	H max.	H min
TM-F0N0B00UPD-U	43.11"	30.90"

NEW

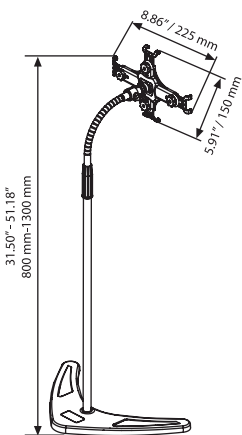
Flexible Head Tablet Stand

This unique floor standing tablet kiosk is suitable for iPad1, 2, 3, Samsung 10.1" and any 9.7"-10.1" tablets.

- Adjustable height and reading angle.
- Portrait & Landscape orientations in one stand.
- A stylish steel stable base.



Portrait & Landscape orientation



The adjustable height post and the flexible upper pipe for adjustable reading angle make this product a great solution for every viewing posture, standing, sitting, or laying down. It is easy to operate and can be used for a variety of uses in offices, schools, hospitals etc.

***No minimum order**

Product #	Profil finish
TM-IF40101TGR-U	Black



Queue Belt Barrier

Queue belt barrier for crowd control, with 900mm / 35.4" high post and 2900mm / 118" retractable belt.

The system is composed of a sturdy durable steel post, a heavy steady rubberized base, and a colored belt.

- Multiple options for post finishes.
- Multiple options for belt colors.

Use Vista's Queue belt barriers to control crowds wherever queue management is needed, from airports to retail, attractions to schools, museums, parks and more.

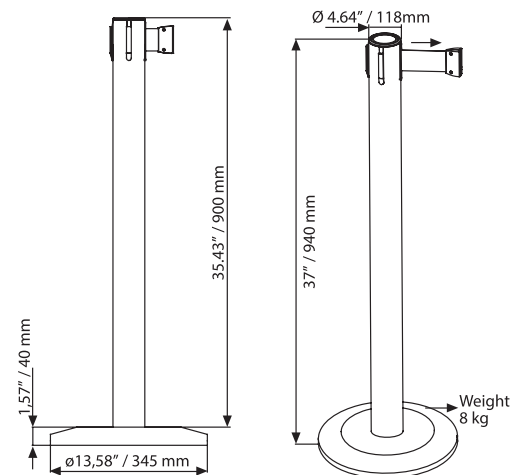
Belt available colors: Black, Red and Blue.

Post and base available finishes: Black, Grey and Chrome.



***No minimum order**

Product #	Profile finish
TM-L01BB00UQB-U	Black-Black Tape
TM-L01BR00UQB-U	Black-Red Tape
TM-L01BL00UQB-U	Black-Blue Tape
TM-L01GB00UQB-U	Grey-Black Tape
TM-L01GR00UQB-U	Grey-Red Tape
TM-L01GL00UQB-U	Grey-Blue Tape
TM-L01CB00UQB-U	Chrome-Black Tape
TM-L01CL00UQB-U	Chrome-Blue Tape
TM-L01CR00UQB-U	Chrome-Red Tape



800 468 47 82 | www.vistasystem.com | 1800 N East Avenue unit 102, Sarasota, FL, 34234, USA

☎ 800 468-4782

WWW.VISTASYSTEM.COM
